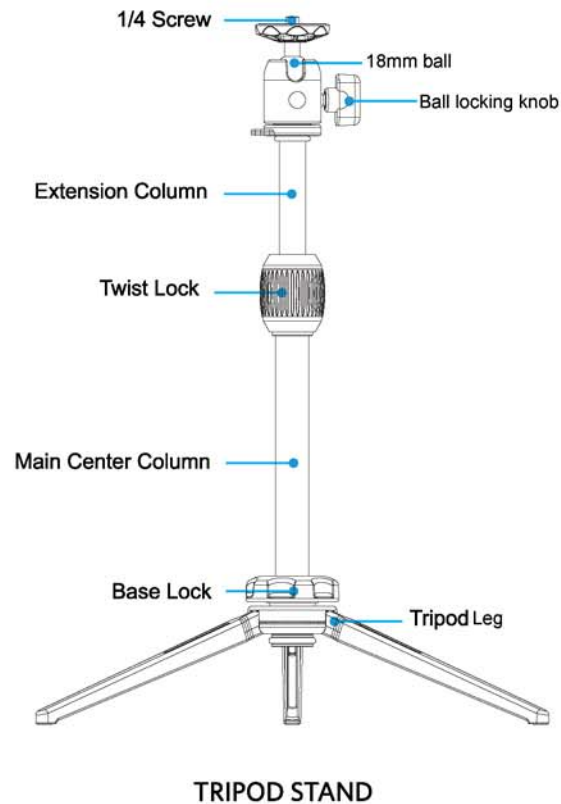


Thank you for choosing the Galileo TP-1 Tripod Stand. Please read this general instruction sheet before using to avoid any accidental damage.



TRIPOD STAND

* The design, appearance and specifications are subject to change without notice.

SPECIFICATIONS:

UNC 1/4 screw

Load : 3 kg

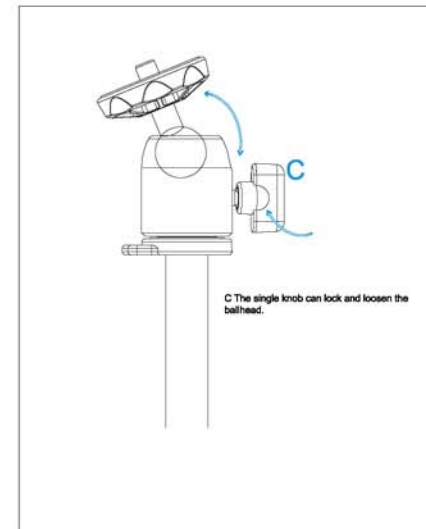
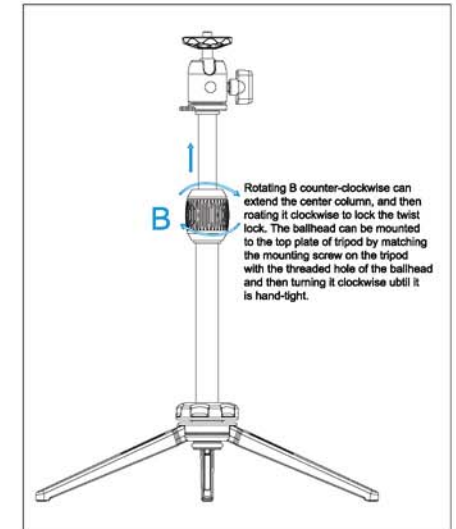
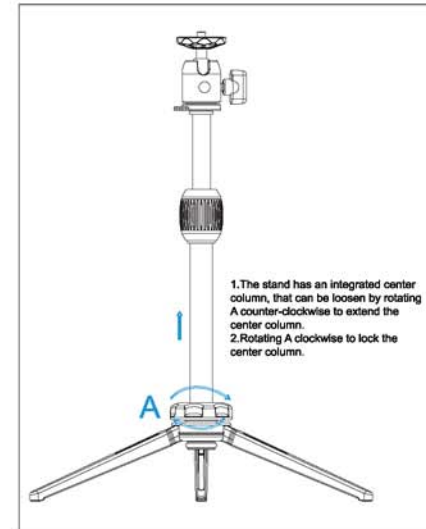
Folded Height : 260 mm

Weight : 0.27 kg

16mm 2-section Aluminum legs

Maximun Height : 400mm

Tripod using graphic method:



Galileo® Limited One Year Warranty
We guarantee to replace or, at our option, repair any products or parts thereof which are found defective in material or workmanship during the first year from date of purchase. Our obligation with respect to such products or parts shall be limited to replacement or repair. In no event shall we be liable for consequential or special damages or for transportation, installation, adjustment, or other expenses which may arise in connection with such product or parts. The customer shall be responsible for all costs of transportation and insurance, both to and from GALILEO/COSMO BRANDS INC., and shall be required to prepay such costs. No expenses, warranties and implied warranties, whether or not merchantability of fitness for any particular use or otherwise (except as to title) other than these expressly set forth above which are made in writing and signed by executive officer of our corporation.

NO LIABILITY FOR CONSEQUENTIAL DAMAGES. IN NO EVENT SHALL THE MANUFACTURER OR ITS SUPPLIERS BE LIABLE FOR ANY DAMAGES WHATSOEVER. BECAUSE SOME STATES DO NOT ALLOW THE EXCLUSION OR LIMITATION OF THE POSSIBILITY FOR CONSEQUENTIAL OR INCIDENTAL DAMAGES. THE ABOVE LIMITATION MAY NOT APPLY TO YOU.

Galileo®
COSMO BRANDS INC.
21230 SW 246th ST. REDLAND FL 33031 USA
www.cosmosoptics.com

IF YOU NEED ANY FURTHER HELP WITH YOUR GALILEO PRODUCT
PLEASE E-MAIL US AT CUSTOMERSERVICE@COSMOOPTICS.COM

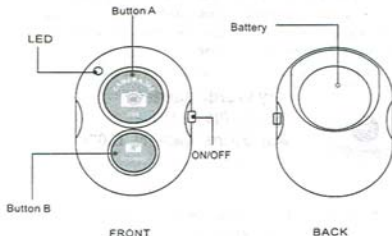
Bluetooth Remote Shutter



Owner's Manual

*Smart phone OS update or change in the future might lead to incompatible

Product Illustration



Specifications

MODEL AB Shutter3	
Communication	Bluetooth Version 3.0
Transmit frequency	2.4GHz-2.4835GHz
Communication distance	10m(30ft)
Battery life	CR2032 X1 cell/about 6 months under working in 10 times a day
Dimension	48mm X 30mm X 10mm
Weight	About 8g

Battery



Positive pole upwards to install the battery.

How To Use

Easy to set up, Easy to use



1. Pairing

- Turn on the shutter by switching the on/off button. AB Shutter3 will enter into pairing mode and indicator LED starts flash quickly at the same time
- Activate the Bluetooth function on your phone and sourcing the devices around
- Select the device of "AB Shutter3" from the list and pairing will be finished automatically in few seconds

AB Shutter3

2. Select APP

Use inbuilt camera APP to taking the photos via AB Shutter3 or you can download the APP of "camera 360" from Google play if in built camera cannot be supported, check the compatible device and APP in following instruction



3. Shooting

Select a correct APP and press the proper button on the shutter for IOS and Android phones to taking the photos.

Compatible devices

Compatible with Android 4.2.2 OS or newer and iOS 6.0 or newer

Compatibility List	inbuilt camera app	camera360 app
iPhone 5s/5c/5, iPhone 4s/4, iPad 3/2, iPad mini, iPad with Retina Display, iPod touch 4th generation or newer.		
Samsung Galaxy S2/S3/S4+, Note 1, Note 2, Note3+, Tab 2, Note 8, 10.1+ Moto X / Nexus 4,5,7+ / Xiaomi 1S, 2S, 3+		
Sony Xperia S HTC New one and X+ Other android phones	not use	